



iGRILL2
PLACEHOLDER

Welcome to



iGrill[®]*mini*

QUICK START GUIDE



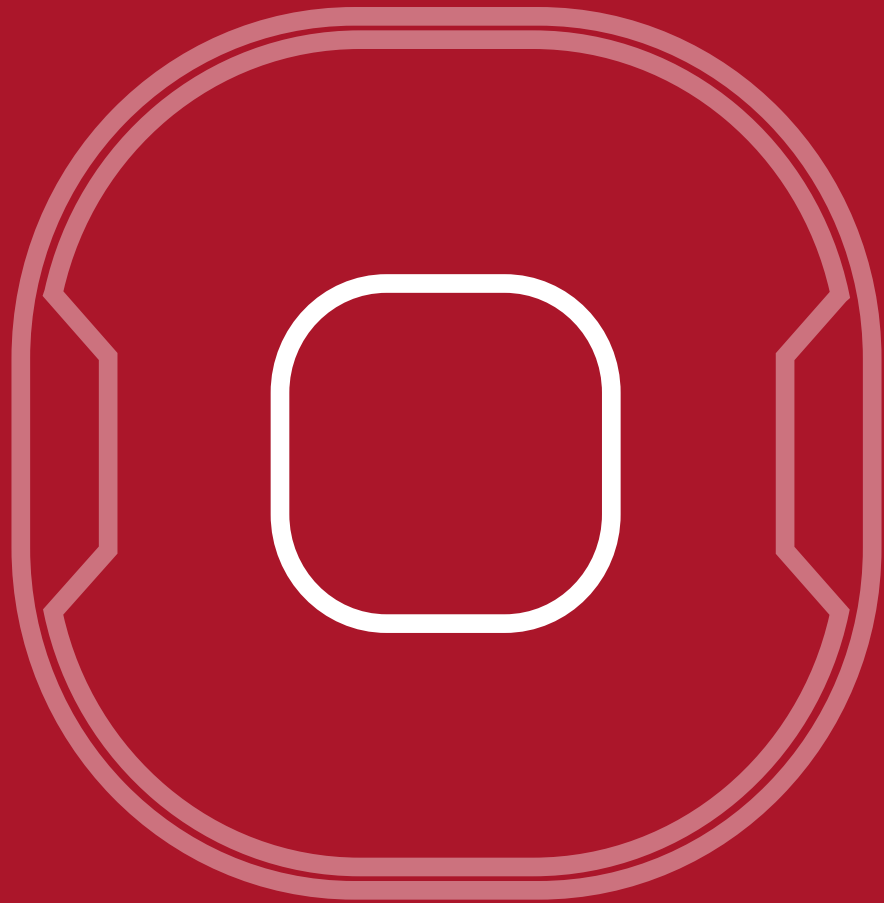
Download the
iDevices Connected app

1



Remove top unit from
base, pull tab

2



Press and release
the power button

3



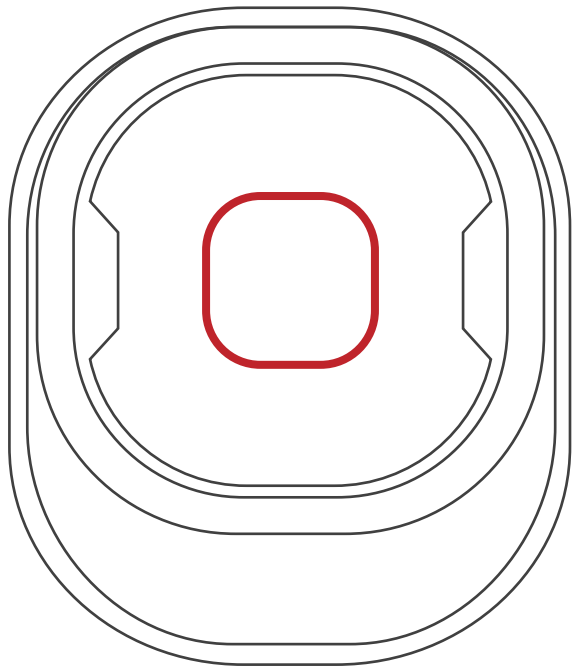
Launch app and connect
through Bluetooth®

4

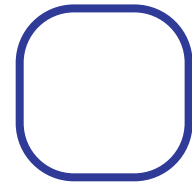
GettingTo Know Your



iGrill[®]*mini*

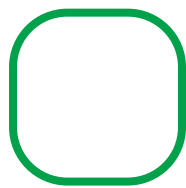


Connection

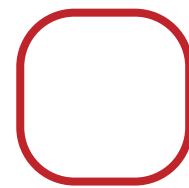
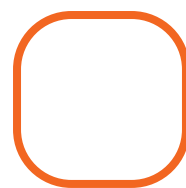
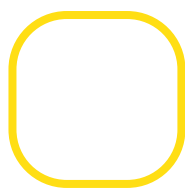


Flashing: Ready to pair
Solid for 5 seconds: Paired

Peak Preset

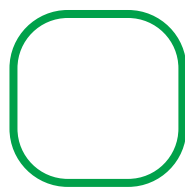


Initial

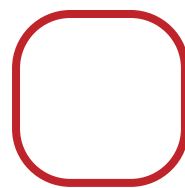


Target
(Flashing)

Range Preset



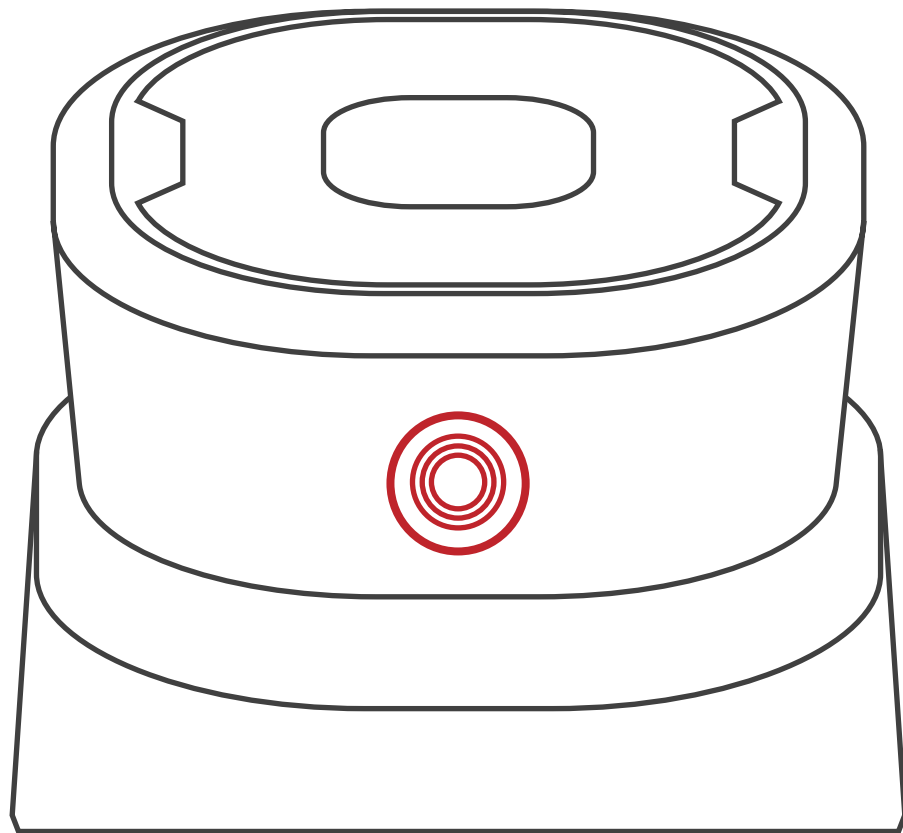
In



Out
(Flashing)

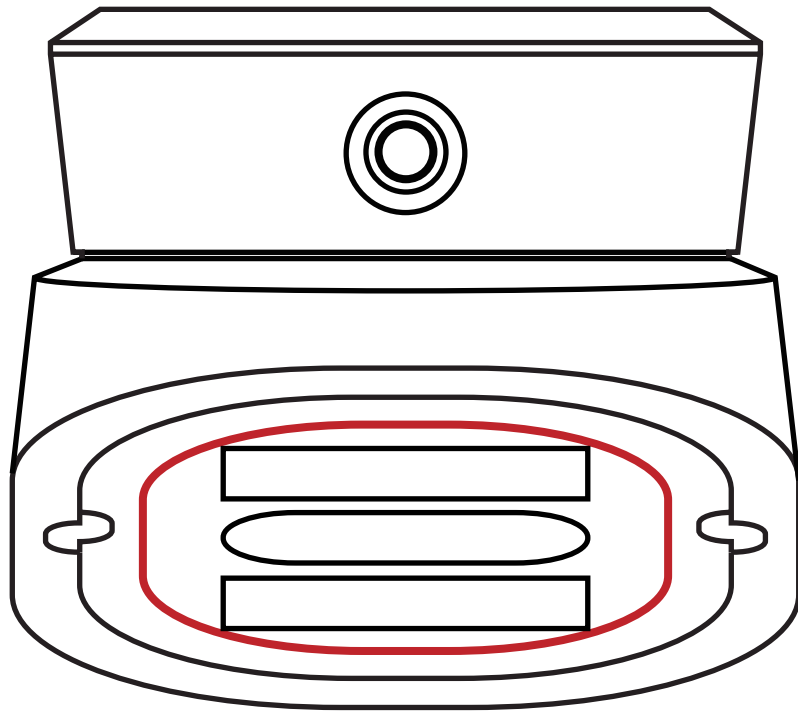
Smart LED

Indicates when paired, temperature progression and temperature out of range



Probe Insert

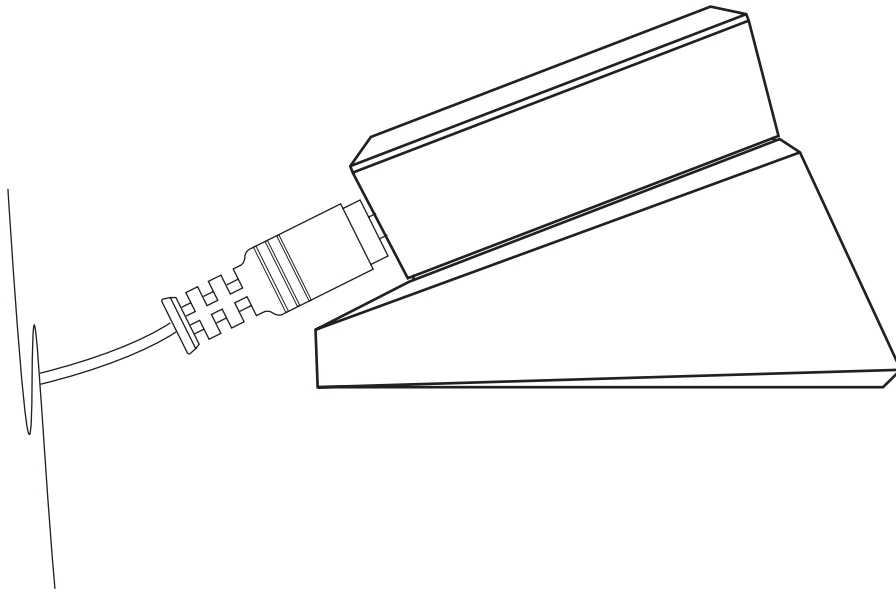
Single probe insert for meat probe or ambient temperature probe



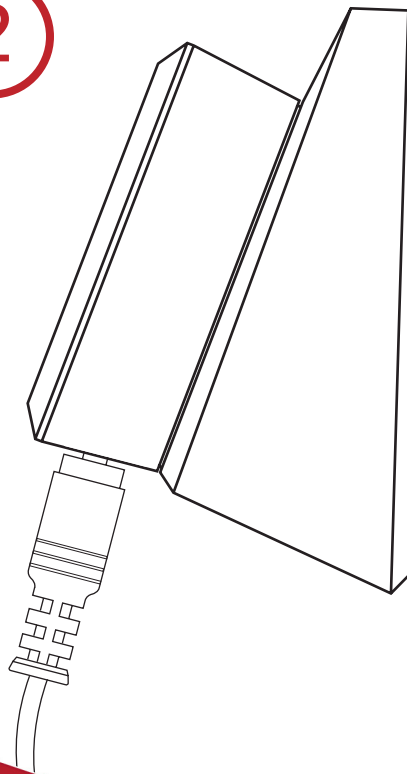
Magnetized Mounting

Place almost anywhere with built-in magnet or optional magnetic disc

①

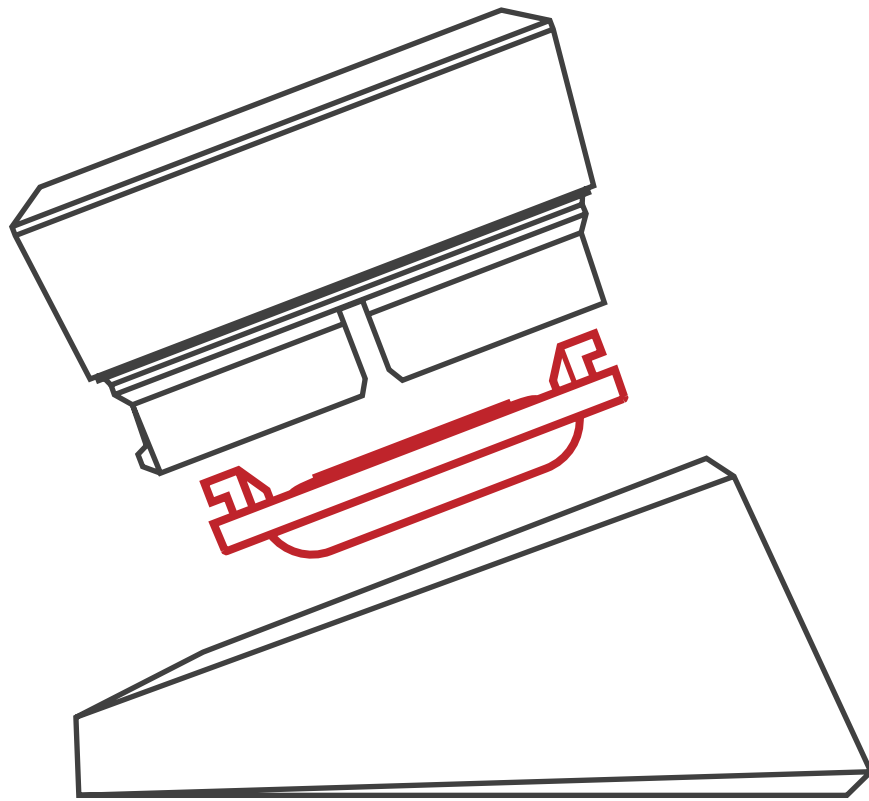


②

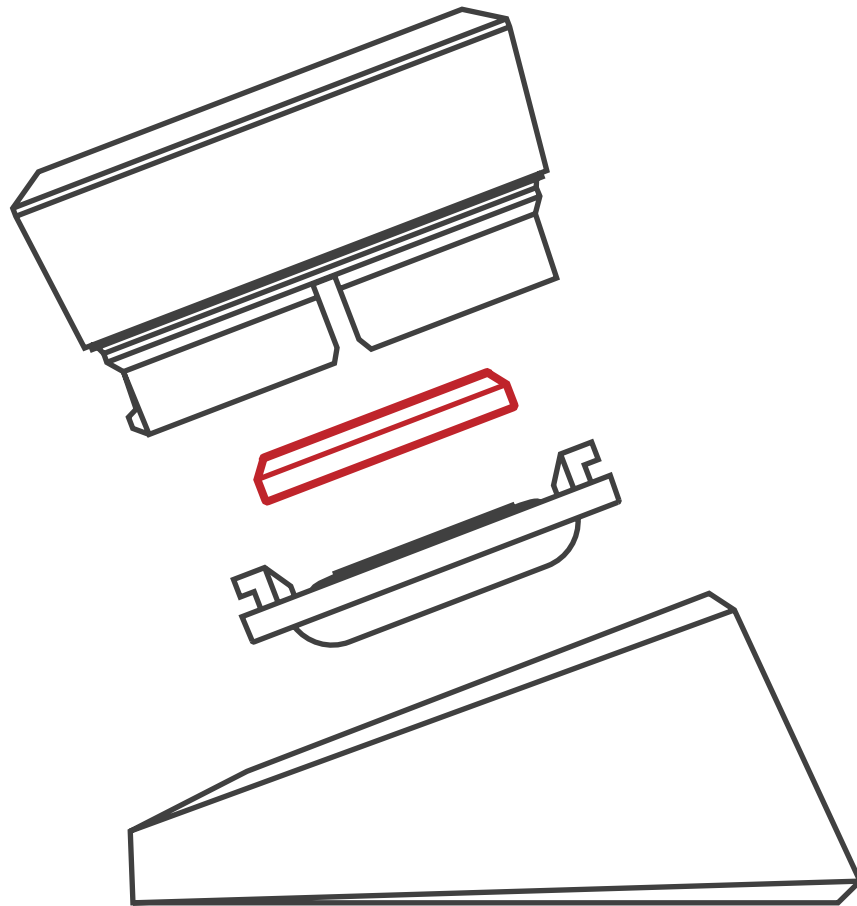


2 Viewing Angles

Choose from two viewing positions by rotating the main unit 180 degrees

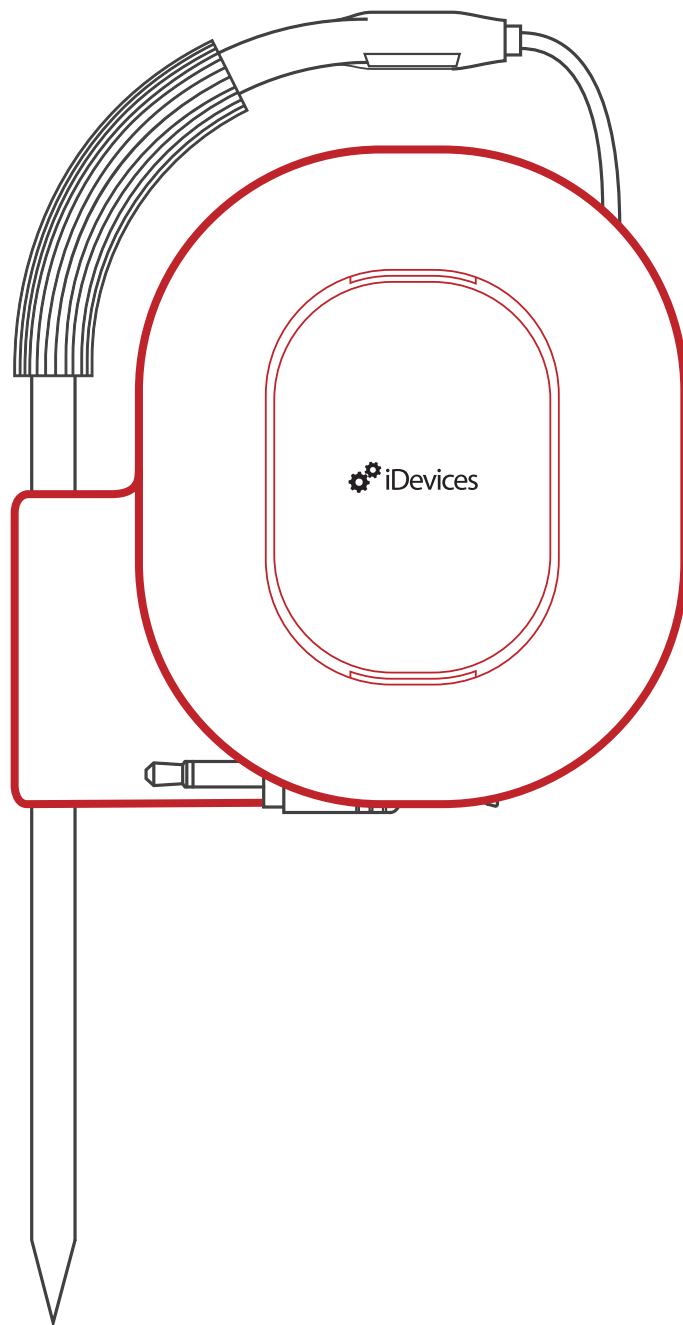


Battery Cover
Twist to remove



Battery

Replaceable CR2032 coin cell
battery (included)



Probe Wrap

Neatly wrap and store your probes on the back of your unit when it's not in use

WARNING

Colored probe indicators not intended to be used as heat safety grips. Probes are NOT dishwasher safe.

Supported Devices: App requires a Bluetooth® Smart Ready device. Check iDevicesinc.com/Compatibility for a list of compatible devices.

Warranty Information: iDevices covers the iGrillmini with a 1-year Limited Warranty against manufacturing defects. For full details of this policy and its terms, please visit iDevicesinc.com.

Operation is subject to the following two conditions: (1) this device may not cause interference, and (2) this device must accept any interference, including interference that may cause undesired operation of this device.

L' utilisation de ce dispositif est autorisée seulement aux conditions suivantes: (1) il ne doit pas produire de brouillage et (2) l' utilisateur du dispositif doit être prêt à accepter tout brouillage radioélectrique reçu, même si ce brouillage est susceptible de compromettre le fonctionnement du dispositif.

App Store is a service mark of Apple Inc. The Bluetooth word mark and logos are registered trademarks owned by Bluetooth SIG Inc.

